

# GN 900.3

## Connecting sets X-Z

- **Material**  
Anodised aluminium, natural colour.
- **Grub screws**  
Zinc-plated steel.
- **Socket head cap screw**  
Stainless steel.
- **Standard executions available**
  - Execution **S**: slide configuration Z-axis: vertical to the reference axis (X-axis).
  - Execution **P**: slide configuration Z-axis: parallel to the reference axis (X-axis).

### Features and applications

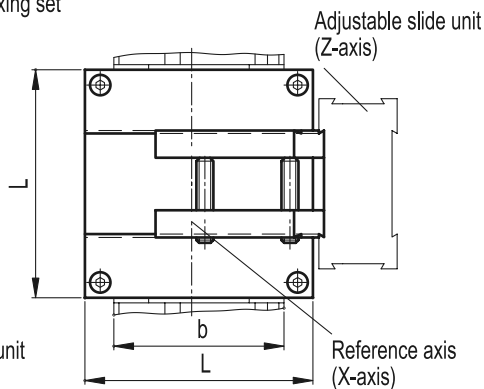
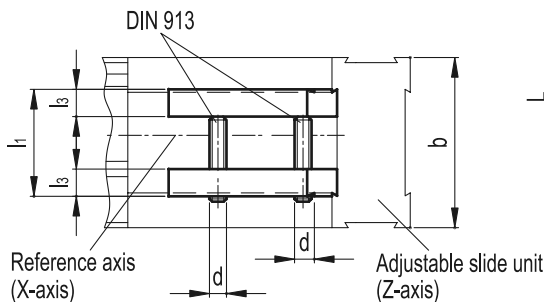
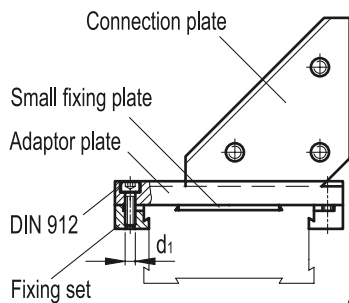
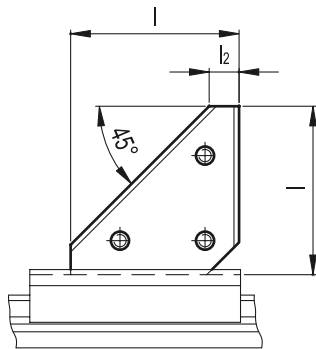
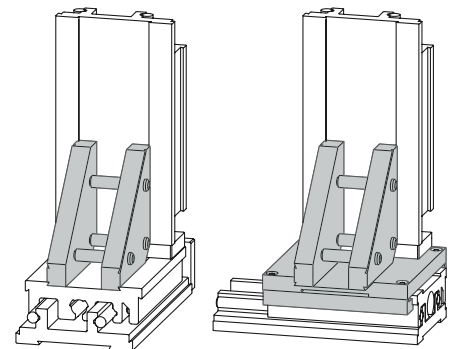
With connecting sets GN 900.3 two adjustable slide units GN 900 (see page 66) can be combined to produce an X-Z axis configuration. The combination is created by using two connection plates which eliminate any type of fixing holes in the slides. At the same time the adjustable slide unit with the Z-axis can, to a limited extent (vertically to the Z-axis), still be adjusted.

In the case of a slide configuration of the Z-axis parallel to the reference axis (execution **P**) an adaptor plate (complete with a fastening set, small fixing plates and socket head cap screws) is required which is included in the set. The small fixing plates serves for the 90° alignment of the Z-axis and fine adjustment of the adaptor plate (Execution **P**).

Assembly example

GN 900.3-S

GN 900.3-P



Standard Elements	Main dimensions							
Description	b	l	L	l <sub>1</sub>	l <sub>2</sub>	l <sub>3</sub>	d	d <sub>1</sub>
GN 900.3-30-30-S	30	30	41	17	6	6	M4	M2.5
GN 900.3-50-50-S	50	50	67	32	6	8	M5	M3
GN 900.3-80-80-S	80	80	105	52	13	12	M6	M4
GN 900.3-120-120-S	120	120	145	82	13	16	M8	M5
GN 900.3-30-30-P	30	30	41	17	6	6	M4	M2.5
GN 900.3-50-50-P	50	50	67	32	6	8	M5	M3
GN 900.3-80-80-P	80	80	105	52	13	12	M6	M4
GN 900.3-120-120-P	120	120	145	82	13	16	M8	M5